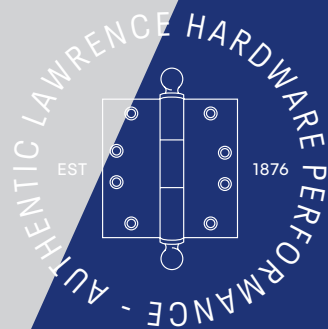


LAWRENCE[®]

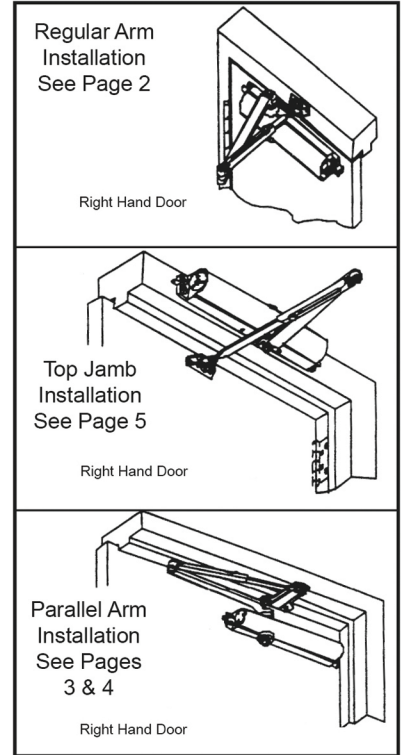
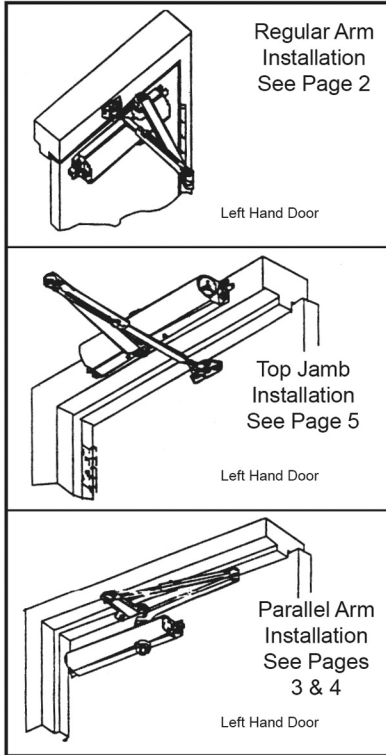
HARDWARE



LH 816

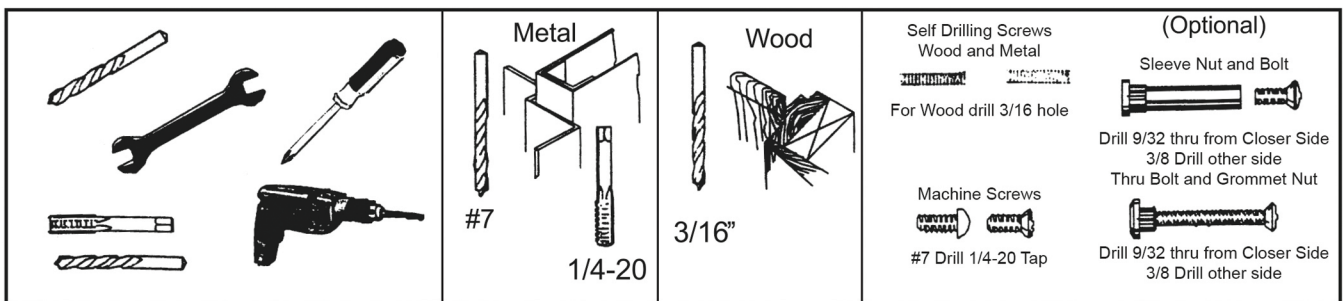
INSTALLATION INSTRUCTIONS

INSTALLATION INSTRUCTIONS

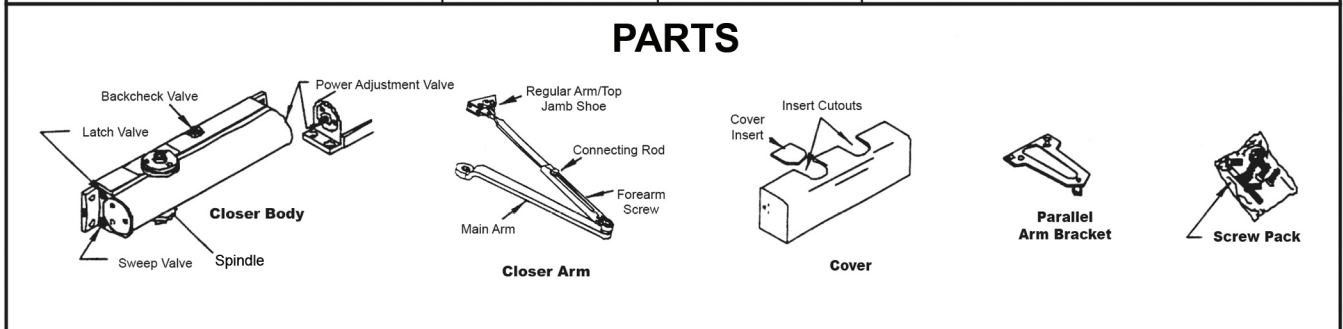


CAUTION An Incorrectly installed or improperly adjusted door closer can cause property damage or personal injury. These installation instructions should be followed to avoid the possibility of misapplication or misadjustment. **CAUTION**

- Doors should be hung on ball bearing or Anti-friction hinges.
- Adjust closing time speed between 3 and 7 seconds from 90° to 0°. Greater closing times may be required for elderly or handicapped.

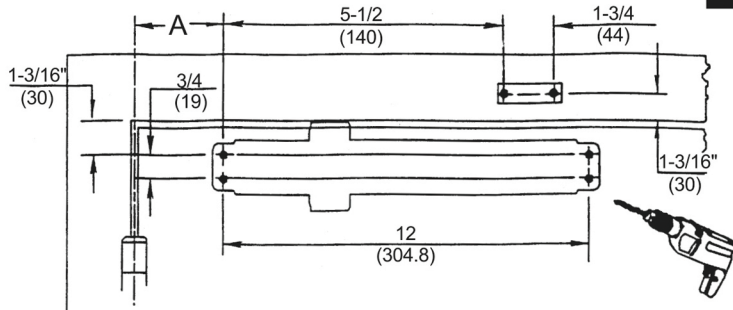


PARTS



REGULAR ARM INSTALLATION

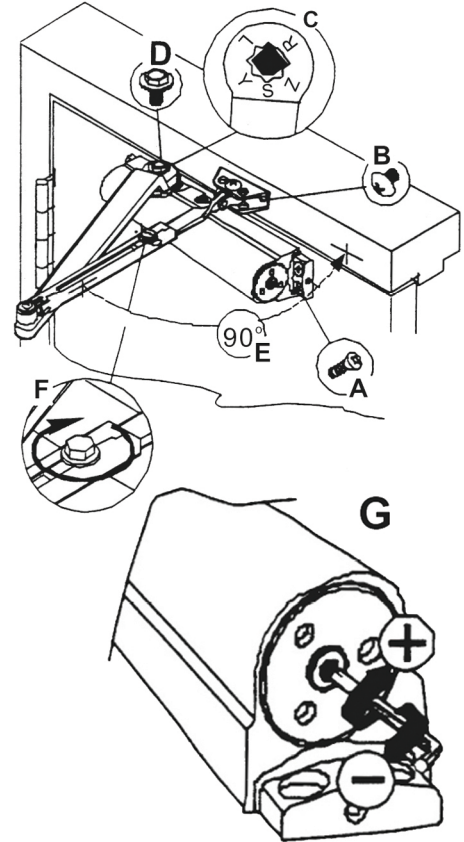
1 Mark and Drill Holes



Right Hand Shown

Opening	Dimension "A"	Inches (mm)
To 100°	7-1/2 (191)	
101° to 130°	6 (152)	
131° to *180°	4-1/2 (114)	

2 Installation Sequence



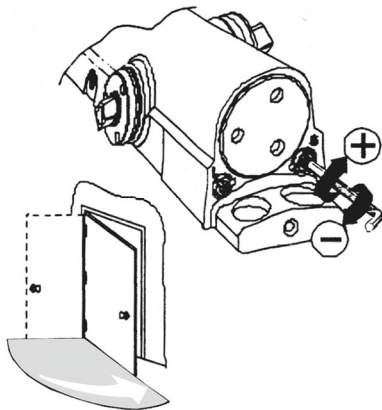
Spring Power Adjustment

See chart on page 6

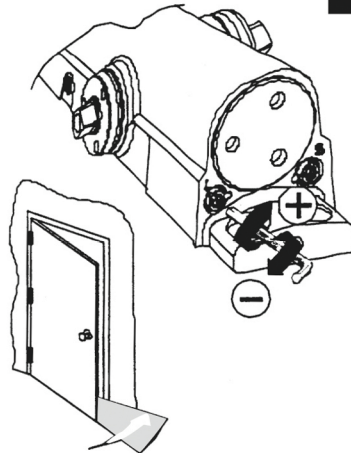


CAUTION:
Removing valves will cause hydraulic fluid to leak and void warranty.

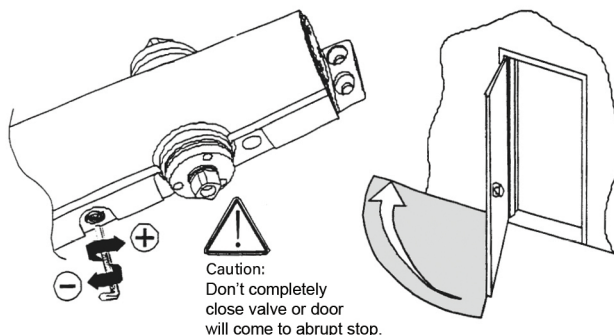
3 Sweep Adjustment



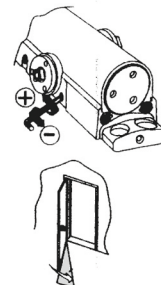
4 Latch Speed Adjustment



5 Backcheck Adjustment

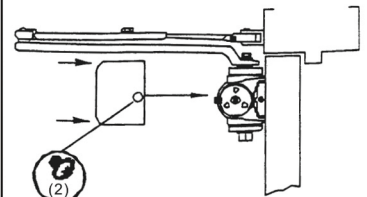


6 Delay Action Adjustment



Adjust delay action according to desired delay time.

7 Cover



PARALLEL ARM INSTALLATION

1 Mark and Drill Holes

Right Hand Shown

Door Opening	Inches (mm)	
	A	B
To 120°	9-1/2 (241)	3-3/4 (95)
*121 to 180°	7 (178)	1-1/4 (32)

2 Installation Sequence

3 Valves

Sweep Speed Valve

Latch Speed Valve

CAUTION: Removing valves will cause hydraulic fluid to leak and void warranty.

4 Install Closer and Bracket

5 Preload Closer

Place Arm on Spindle

Rotate

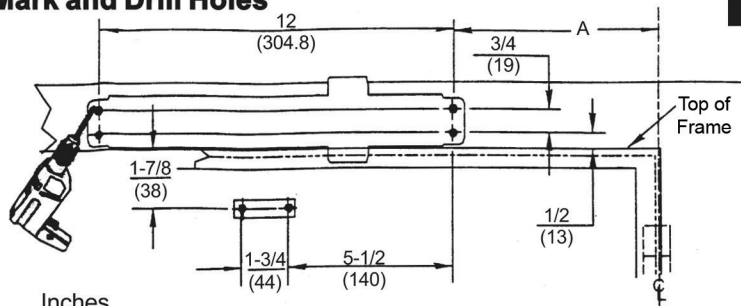
Remove Arm from Spindle

PARALLEL ARM INSTALLATION CONTINUED

<p>6</p> <p>Right Hand Door or Left Hand Door Flat A B</p>	<p>7</p> <p>Caution: Don't remove valves as oil will leak and void warranty.</p>	<p>8</p> <p>Assemble Arm</p>	
<p>9</p> <p>Arm Screw</p> <p>1-1/2 (38)</p>	<p>10</p> <p>Spring Power Adjustment (see chart on page 6)</p>	<p>11</p> <p>Sweep Adjustment</p>	
<p>12</p> <p>Latch Speed Adjustment</p>	<p>13</p> <p>Backcheck Adjustment</p> <p>Caution: Don't completely close valve or door will come to abrupt stop.</p>	<p>14</p> <p>Delay Action Adjustment</p> <p>Adjust delay action according to desired delay time.</p>	<p>15</p> <p>Cover</p> <p>CAUTION: Removing valves will cause hydraulic fluid to leak and void warranty.</p>

TOP JAMB ARM INSTALLATION

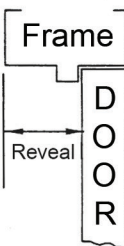
1 Mark and Drill Holes



Inches
(mm) Right Hand Shown

Opening	Dimension "A"
To 100°	7-1/2 (191)
101° to 130°	6 (152)
131° to *180°	4-1/2 (114)

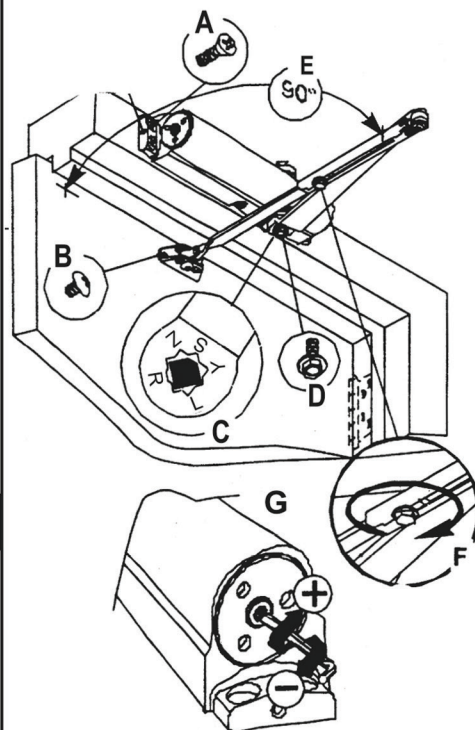
A longer connecting rod is required for reveals greater than 3" (76mm)



1

2 Installation Sequence

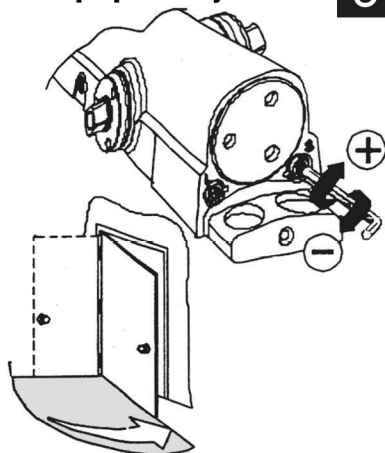
2



Spring Power Adjust (see chart on page 6)

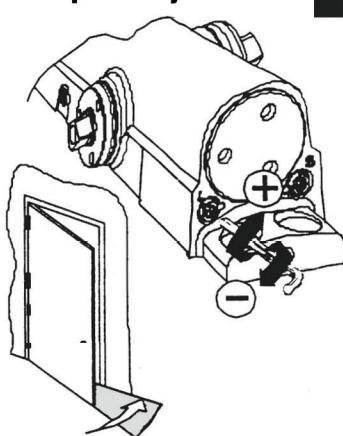
3 Sweep Speed Adjustment

3



4 Latch Speed Adjustment

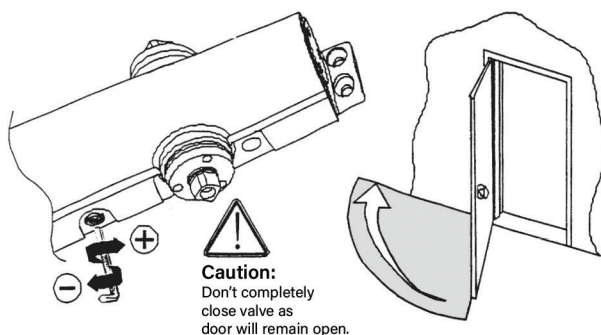
4



CAUTION:
Removing valves will cause hydraulic fluid to leak and void warranty.

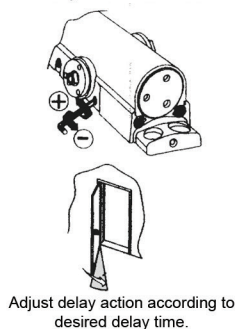
5 Backcheck Adjustment

5



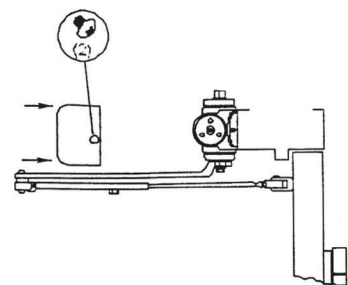
6 Delay Action Adjustment

6



7 Cover

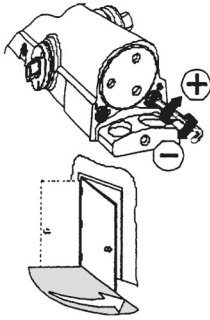
7



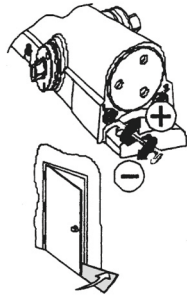
ADJUSTMENTS PAGE

(Use 1/8 Hex Wrench for these Adjustments)

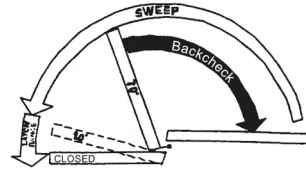
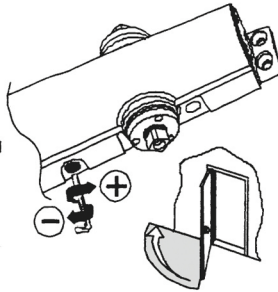
Sweep



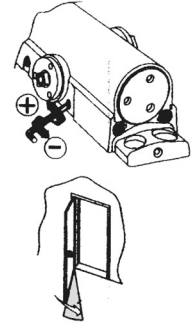
Latch



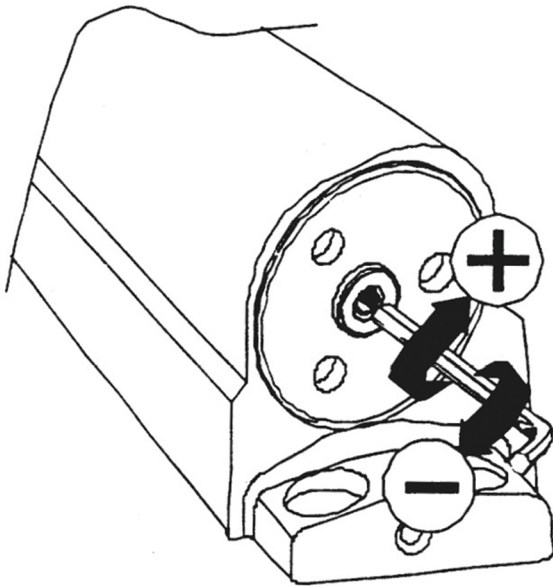
Backcheck



DELAYED ACTION



Spring Power Adjust



(Use 1/8 Hex Wrench for this Adjustment)

POWER ADJUSTMENT CHART

MAXIMUM DOOR WIDTH		FULL TURNS REQUIRED
EXTERIOR DOORS	INTERIOR DOORS	
—	5 lb-f	5 TURNS C.C.W.
8.5 lb-f	34" (864)	3 TURNS C.C.W.
30" (762)	38" (962)	0 TURNS
36" (914)	48" (1219)	5 TURNS C.W.
42" (1067)	54" (1372)	10 TURNS C.W.
48" (1219)	60" (1524)	15 TURNS C.W.

15 Full 360 turns maximum available.
Closer was factory preset as size 3.



CAUTION:

Removing valves will cause hydraulic fluid to leak and void warranty.

If you have any questions regarding installation, contact us at
1.888.737.6515, email us at info@LawrenceHardwareOnline.com
or visit us online at LawrenceHardwareOnline.com