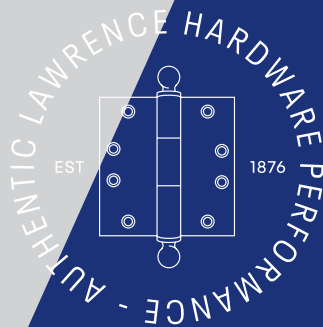


LAWRENCE[®]

HARDWARE

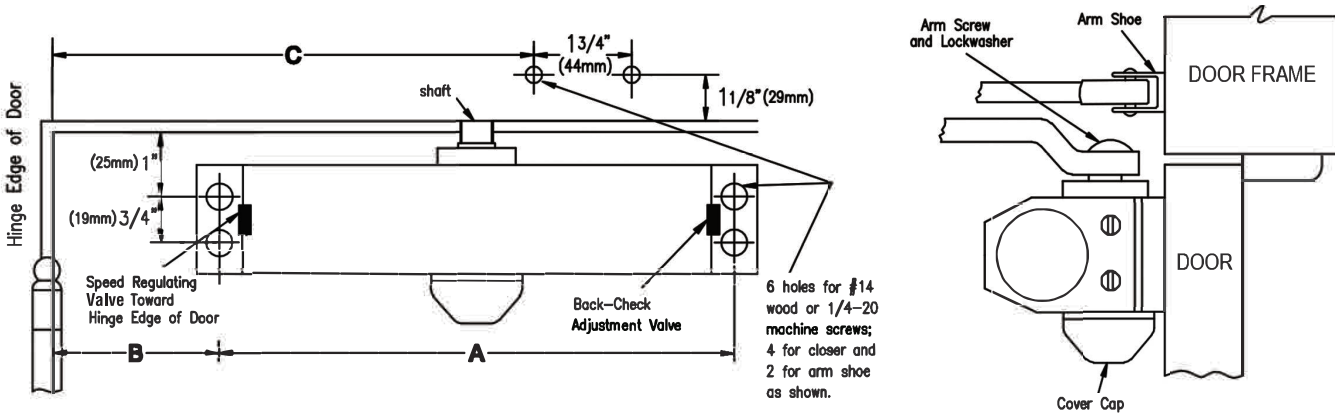


LH 534

INSTALLATION INSTRUCTIONS

REGULAR ARM INSTALLATION

This template covers regular arm installations to 180° openings.

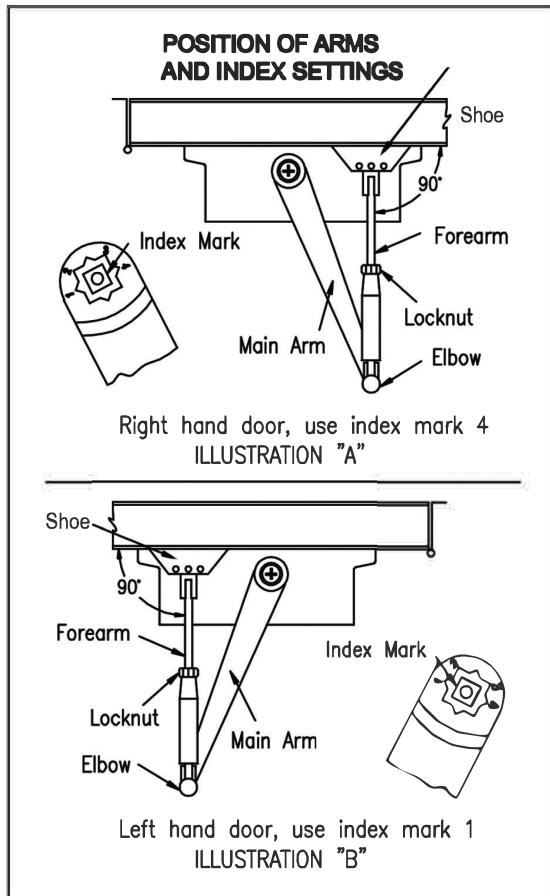


RIGHT HAND DOOR ILLUSTRATED
Same dimensions apply for Left Hand Door measured from the hinge edge.

A	FOR OPENING TO 120°		FOR OPENING TO 120°-180°	
	B	C	B	C
8 3/16" 208mm	6" 152mm	12" 305mm	4 1/2" 114mm	10" 254mm

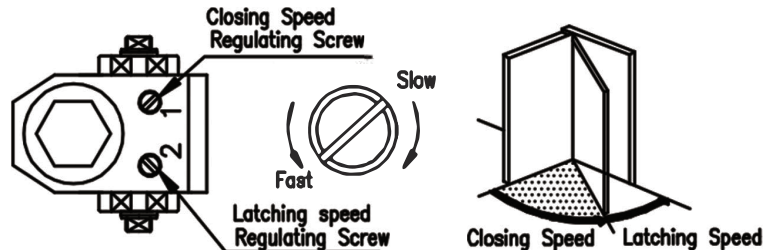
INSTALLATION INSTRUCTIONS

1. Select degree of opening and use dimensions shown in above template to mark four holes on door for closer and two holes on frame for arm shoe.
2. Drill pilot in door and frame for #14 wood screws or drill and tap for 1/4 machine screws.
3. Mount closer on door WITH SPEED REGULATING VALVE FACING TOWARD HINGE.
4. Place main arm on shaft on top of closer at proper index mark as illustrated. FOR RIGHT HAND DOOR No. 4 (illustration "A"). FOR LEFT HAND DOOR No.1 (illustration "B"). Tighten arm screw with lockwasher securely.
5. Attach the arm shoe of the forearm to the frame.
6. Adjust length of forearm so when it is attached to main arm it will be at a right angle (90°) to door when door is closed and assemble at elbow then tighten locknut.
7. Place cover cap over shaft at bottom of closer and turn slightly to secure.



ADJUSTMENT INSTRUCTIONS

SPEED ADJUSTMENTS



BACK - CHECK ADJUSTMENT - is controlled by the adjustment valve (marked BC on the closer). BACK-CHECK is now set for a soft action. To INCREASE Back-check action turn valve CLOCKWISE. To DECREASE Back-check action turn valve COUNTER CLOCKWISE.

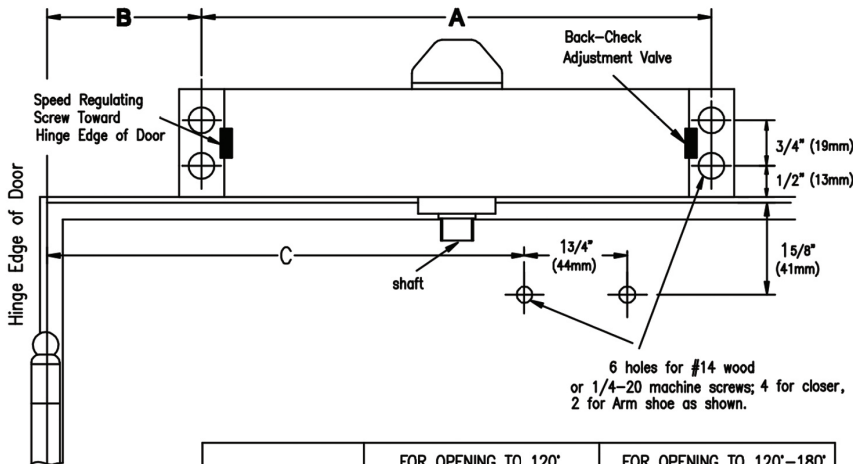


CAUTION:

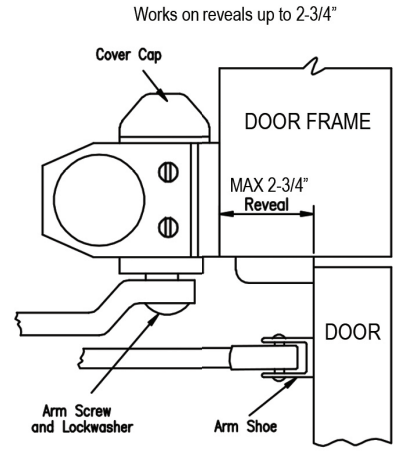
Removing valves will cause hydraulic fluid to leak and void warranty.

TOP JAMB INSTALLATION

This template covers regular arm installations to 180° openings.



A	FOR OPENING TO 120°		FOR OPENING TO 120°-180°	
	B	C	B	C
8 3/16" 208mm	6" 152mm	12" 305mm	3 7/8" 98mm	8 3/4" 222mm



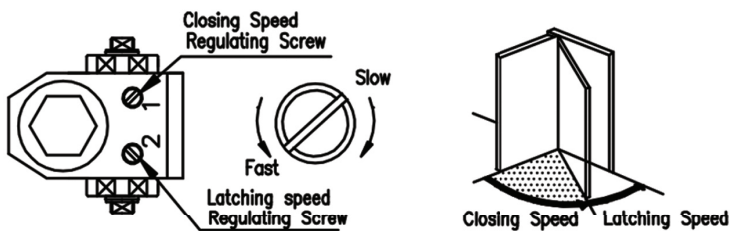
LEFT HAND DOOR ILLUSTRATED
Same dimensions apply for Right Hand Door measured from the hinge edge.

INSTALLATION INSTRUCTIONS

1. Select degree of opening and use dimensions shown in above template to mark four holes on door for closer and two holes on frame for arm shoe.
2. Drill pilot in door and frame for #14 wood screws or drill and tap for 1/4-20 machine screws.
3. Mount closer on door WITH SPEED REGULATING VALVE FACING TOWARD HINGE.
4. Place main arm on shaft on top of closer at proper index mark as illustrated. FOR RIGHT HAND DOOR No. 4 (illustration "A"). FOR LEFT HAND DOOR No.1 (illustration "B"). Tighten arm screw with lockwasher securely.
5. Attach the arm shoe of the forearm to the frame.
6. Adjust length of forearm so when it is attached to main arm it will be at a right angle (90°) to door when door is closed and assemble at elbow then tighten locknut.
7. Place cover cap over shaft at bottom of closer and turn slightly to secure.

ADJUSTMENT INSTRUCTIONS

SPEED ADJUSTMENTS

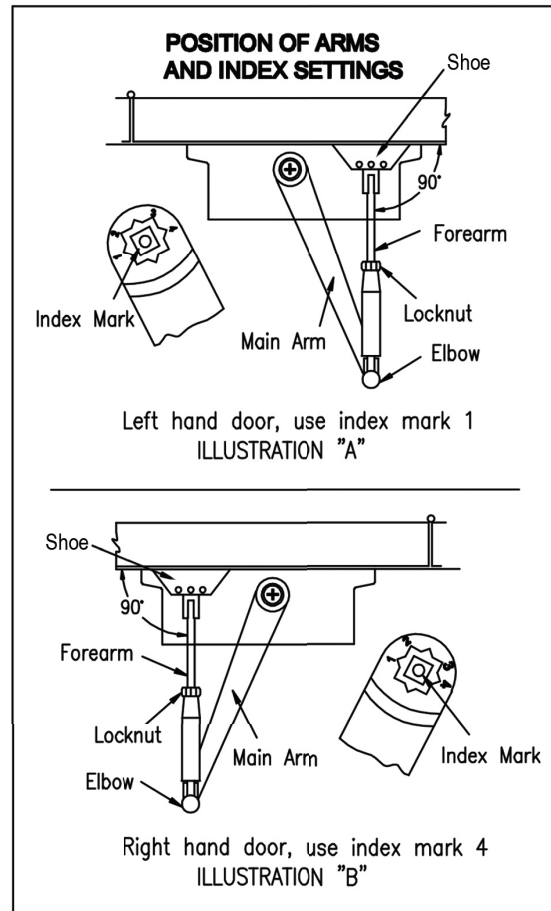


BACK - CHECK ADJUSTMENT - is controlled by the adjustment valve (marked BC on the closer). BACK-CHECK is now set for a soft action. To INCREASE Back-check action turn valve CLOCKWISE. To DECREASE, or to TURN OFF Back-check action turn valve COUNTER CLOCKWISE.

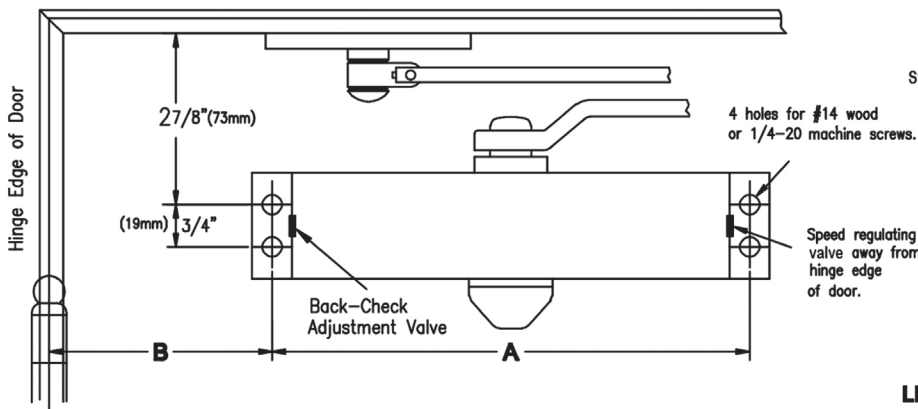


CAUTION:

Removing valves will cause hydraulic fluid to leak and void warranty.

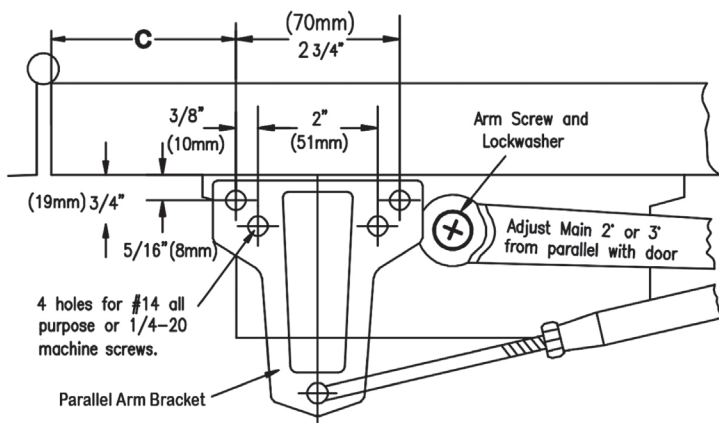


PARALLEL ARM INSTALLATION



LEFT HAND DOOR ILLUSTRATED
Same dimensions apply for Right Hand Door measured from the hinge edge.

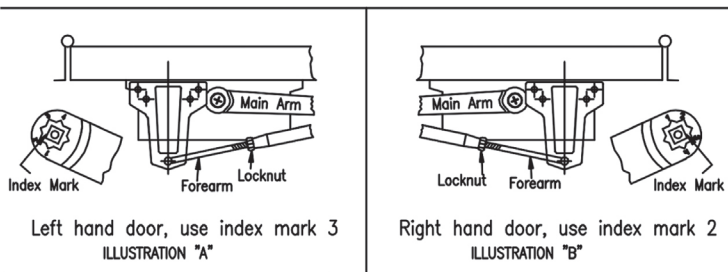
A	FOR OPENING TO 120°		FOR OPENING TO 120°-180°	
	B	C	B	C
8 3/16" 208mm	8 3/8" 213mm	9 1/16" 230mm	7" 178mm	7 11/16" 195mm



INSTALLATION INSTRUCTIONS

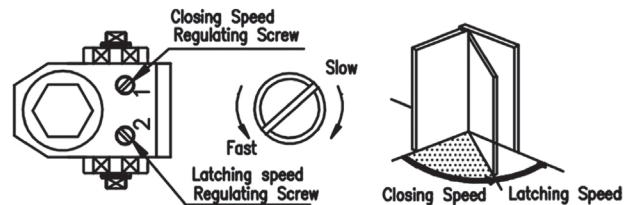
1. Select degree of opening and use dimensions shown in above template to mark four holes on door for closer and four holes on frame for parallel bracket.
2. Drill pilot in door and frame for #14 wood screws or drill and tap for 1/4-20 machine screws.
3. Mount closer on door WITH BACK-CHECK VALVE FACING TOWARD HINGE.
4. Attach parallel bracket to door stop as illustrated.
5. Using a wrench on square shaft on bottom of closer, rotate shaft approximately 45° toward hinge edge of door. Hold and place main arm on shaft on top of closer at proper index mark as illustrated. FOR LEFT HAND DOOR No. 3 (illustration "A"). FOR RIGHT HAND DOOR No.2 (illustration "B"). Tighten arm screw with lockwasher securely.
6. Remove the arm shoe from the forearm (arm shoe is not used in this application) and place forearm on parallel bracket stud and tighten screw securely.
7. Adjust length of forearm so when it is attached to main arm, the main arm will be slightly away from parallel with closed door, and assemble at elbow then tighten locknut.
8. Place cover cap over shaft at bottom of closer and turn slightly to secure.

POSITION OF ARMS AND INDEX SETTINGS



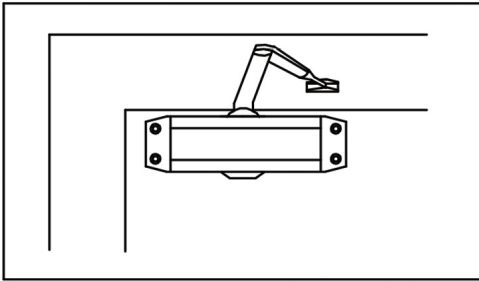
ADJUSTMENT INSTRUCTIONS

SPEED ADJUSTMENTS



BACK - CHECK ADJUSTMENT - is controlled by the adjustment valve (marked BC on the closer). BACK-CHECK is now set for a soft action. To INCREASE Back-check action turn valve CLOCKWISE. To DECREASE, or to TURN OFF Back-check action turn valve COUNTER CLOCKWISE.

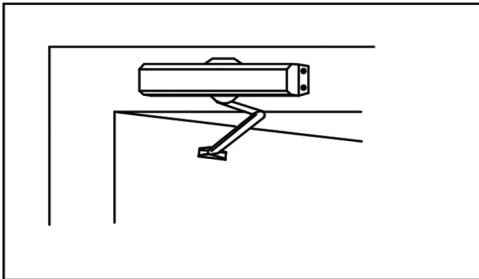
REGULAR ARM INSTALLATION



**CLOSER MOUNTED ON PULL
SIDE OF DOOR**

See page 2

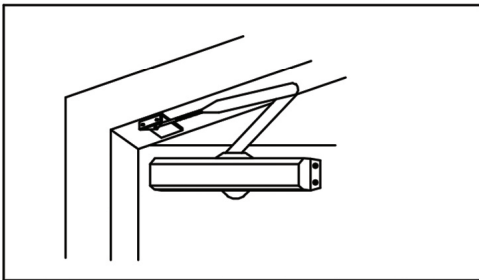
TOP JAMB INSTALLATION



**CLOSER MOUNTED ON TOP JAMB
ON PUSH SIDE OF DOOR**

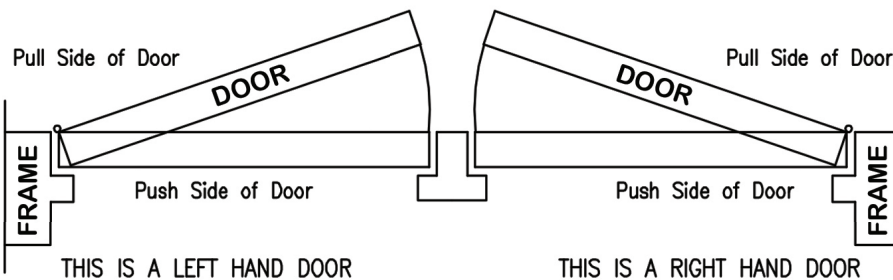
See page 3

PARALLEL ARM INSTALLATION



**CLOSER MOUNTED ON
PUSH SIDE OF DOOR**

See page 4



**CHART
TO DETERMINE
DOOR HANDING**

If you have any questions regarding installation, contact us at
1.888.737.6515, email us at info@LawrenceHardwareOnline.com
or visit us online at LawrenceHardwareOnline.com